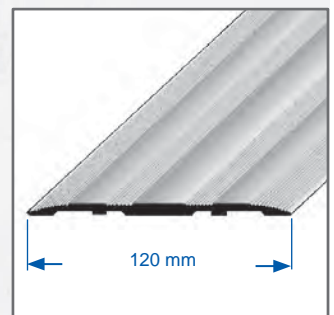
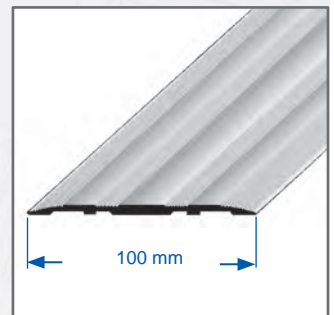
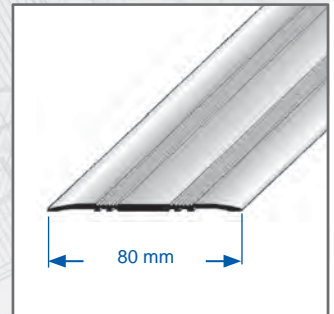
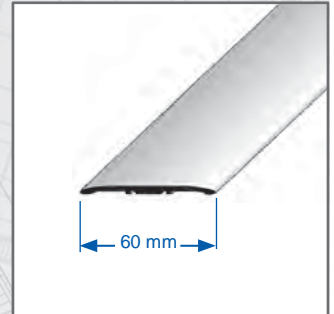


DURAFLEX

1/2

Expansion joint profile for retro-fitting into existing flooring – KA series

DURAL



APPLICATION:

DURAFLEX-KA cover profiles for subsequent installation in existing flooring are used to cover over wide joints or cracks. They are available in various materials and widths with either a smooth or a ribbed surface. They can be screwed down or are self-adhesive.

All products and materials must be carefully checked beforehand to assess their suitability for the intended use. Recognised standards of good technical practice must be adhered to at all times!

- Width:** **Aluminium:** 60 mm (smooth surface)
 80 / 100 / 120 mm (ribbed surface)
 Stainless steel: 60 / 80 / 100 mm (smooth surface)
- Duty:** Suitable for pedestrian and vehicle traffic

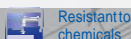
HANDLING:

Depending upon the application, press the self-adhesive joint profile firmly down onto the cleaned and dry foundations. For medium duty applications, screw the profile onto the foundations using suitably sized raw plugs spaced at intervals of approximately 30 cm.

STONE CONCEPT HOLDINGS P/L

3/179-183 Woodpark Road,
Smithfield, NSW, 2164
Tel. +61 (02) 9757 3880
Fax +61 (02) 9818 5073

products@stoneconcept.com.au



www.stoneconcept.com.au

Since the usage and finishing of the product is not under our control, we accept no liability for the success of the work and can therefore only guarantee the nature of our products as per the accompanying product data sheets and in accordance with our general terms and conditions of sale. The properties listed here represent no guarantee with respect to the eventual use of our products. We reserve the right to make changes due to technical advances. Any other technical information given in the course of a consultation must be confirmed in writing. Colours shown here are restricted by the printing techniques and may differ from those exhibited by the products themselves. We also reserve the right to make alterations to the product technology or design. Only the current version of this data sheet is valid. Such versions are accessible by anyone via the internet. The issue of the latest data sheet invalidates all those that have been published beforehand.

DURAFLEX

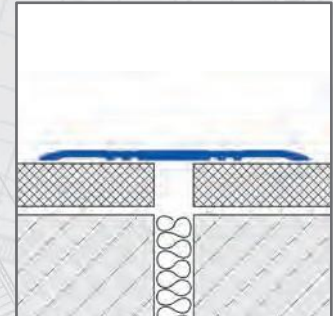
2/2

DURAL

Expansion joint profile for retro-fitting into existing flooring – KA series

CLEANING & CARE:

The DURAFLEX joint profile does not require any special care. Clean the surface of the profile where necessary with a neutral cleaning agent and wipe it dry. Do not use acidic or alkaline cleaning agents.



PRODUCT DATA:

MATERIAL:	Aluminium, natural, anodised / stainless steel (V2A)
VISIBLE WIDTH:	Stainless steel: 60/80/ 100 mm Aluminium: 60/80/ 100/120 mm
JOINT WIDTH:	up to 12 mm / 60 mm profile width up to 20 mm / 80 mm profile width up to 30 mm / 100 mm profile width up to 50 mm / 120 mm profile width
PROFILE LENGTH:	250 cm

STONE CONCEPT HOLDINGS P/L

3/179-183 Woodpark Road,
Smithfield, NSW, 2164
Tel. +61 (02) 9757 3880
Fax +61 (02) 9818 5073

products@stoneconcept.com.au